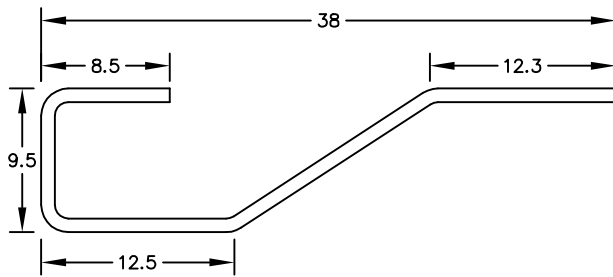




STAR AUTO INDUSTRIES  
G/2,G/3,G/8 ANSA INDUSTRIAL ESTATE  
SAKI VIHAR ROAD, SAKI NAKA



SCALE 2:1

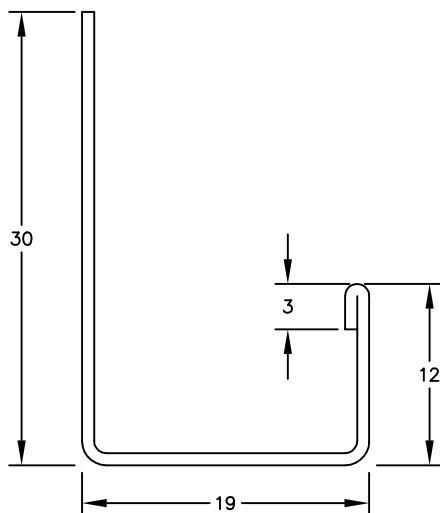


SCALE 1:1

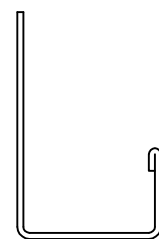
### DRIP MOULDING

COMPANY : HINDUSTAN MOTORS

PROJECT : AMBASSADOR



SCALE 2:1



SCALE 1:1

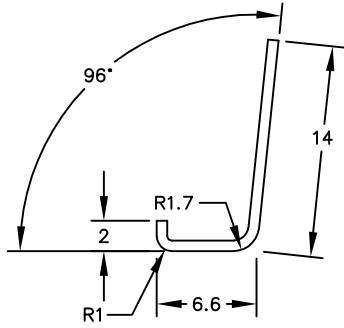
### WATER DRAIN CHANNEL

COMPANY : MAHINDRA & MAHINDRA

PROJECT : MM 540



STAR AUTO INDUSTRIES  
G/2,G/3,G/8 ANSA INDUSTRIAL ESTATE  
SAKI VIHAR ROAD, SAKI NAKA



SCALE 2:1

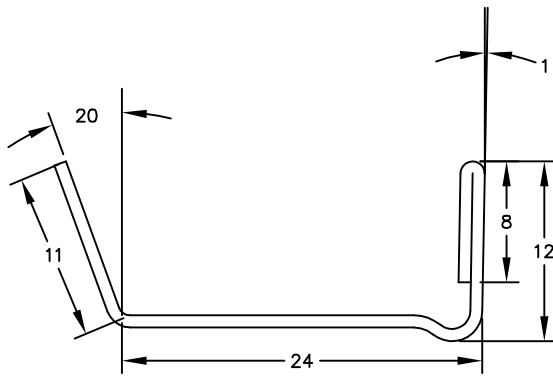


SCALE 1:1

### DRIP MOULDING

COMPANY : TATA MOTORS

PROJECT : INDICA



SCALE 2:1



SCALE 1:1

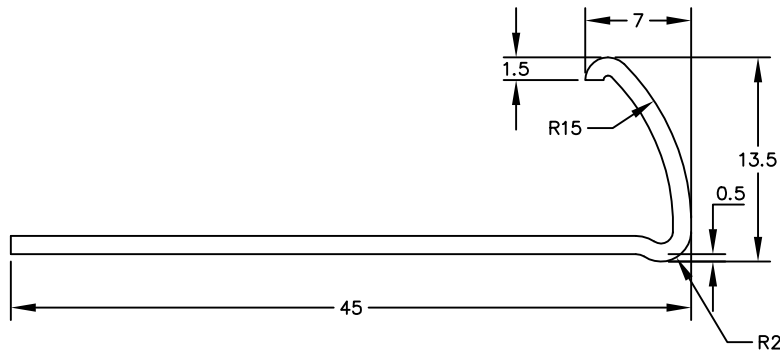
### ROOF TROUGH

COMPANY : PREMIER AUTOMOBILES

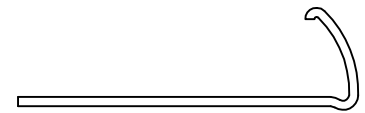
PROJECT : 118 NE



STAR AUTO INDUSTRIES  
G/2,G/3,G/8 ANSA INDUSTRIAL ESTATE  
SAKI VIHAR ROAD, SAKI NAKA



SCALE 2:1

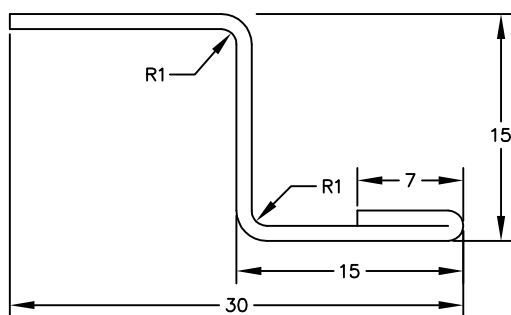


SCALE 1:1

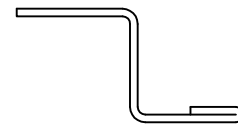
### RAIN CHANNEL

COMPANY : PREMIER AUTOMOBILES

PROJECT : PREMIER PADMINI



SCALE 2:1



SCALE 1:1

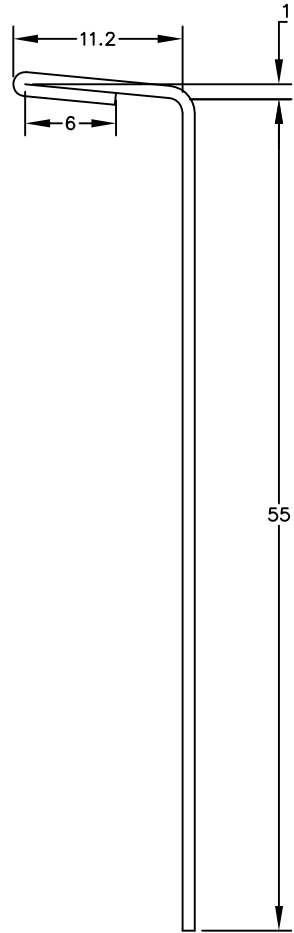
### RAIN CHANNEL

COMPANY : TATA MOTORS

PROJECT : 709



STAR AUTO INDUSTRIES  
G/2,G/3,G/8 ANSA INDUSTRIAL ESTATE  
SAKI VIHAR ROAD, SAKI NAKA



SCALE 2:1

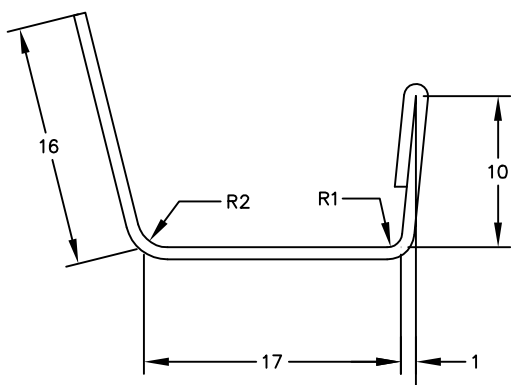


SCALE 1:1

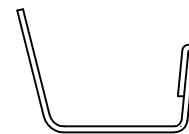
RAIN CHANNEL

COMPANY : TATA MOTORS

PROJECT : SUMO



SCALE 2:1



SCALE 1:1

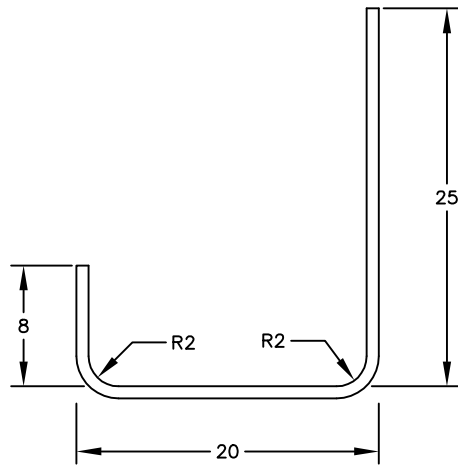
RAIN CHANNEL SIDE & REAR

COMPANY : TATA MOTORS

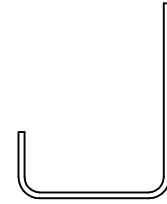
PROJECT : SUMO



STAR AUTO INDUSTRIES  
G/2,G/3,G/8 ANSA INDUSTRIAL ESTATE  
SAKI VIHAR ROAD, SAKI NAKA



SCALE 2:1

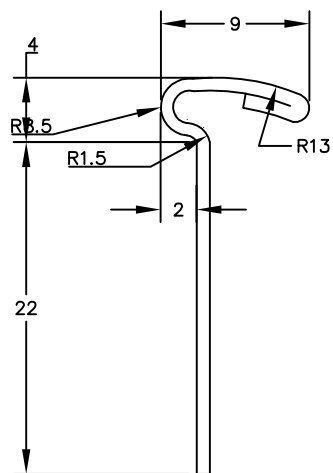


SCALE 1:1

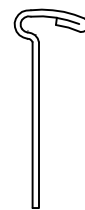
### RAIN CHANNEL

COMPANY : TATA MOTORS

PROJECT : 407



SCALE 2:1



SCALE 1:1

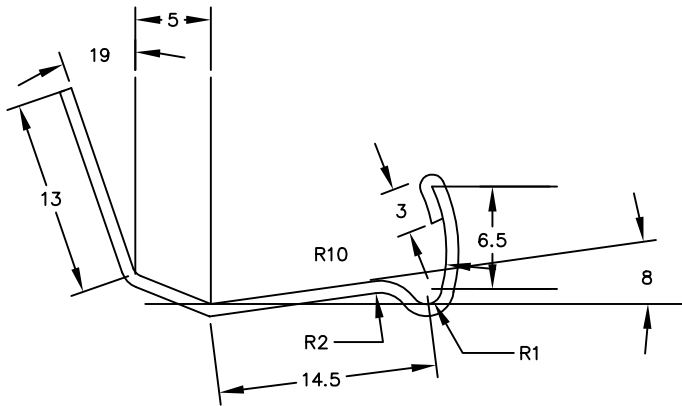
### DRIP MOULDING FRONT

COMPANY : MAHINDRA & MAHINDRA

PROJECT : CABKING,VOYAGER



STAR AUTO INDUSTRIES  
G/2,G/3,G/8 ANSA INDUSTRIAL ESTATE  
SAKI VIHAR ROAD, SAKI NAKA



SCALE 2:1

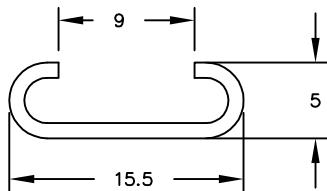


SCALE 1:1

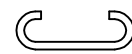
### DRIP MOULDING SIDE

COMPANY : MAHINDRA & MAHINDRA

PROJECT : VOYAGER



SCALE 2:1



SCALE 1:1

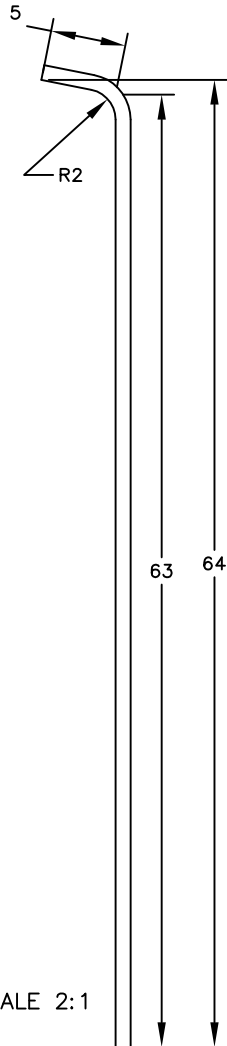
### RETAINER

COMPANY : TATA MOTORS

PROJECT : 709 LCV



STAR AUTO INDUSTRIES  
G/2,G/3,G/8 ANSA INDUSTRIAL ESTATE  
SAKI VIHAR ROAD, SAKI NAKA



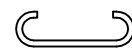
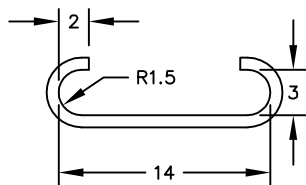
SCALE 1:1

RETAINER

COMPANY : TATA MOTORS

PROJECT : 1210

SCALE 2:1



SCALE 1:1

SCALE 2:1

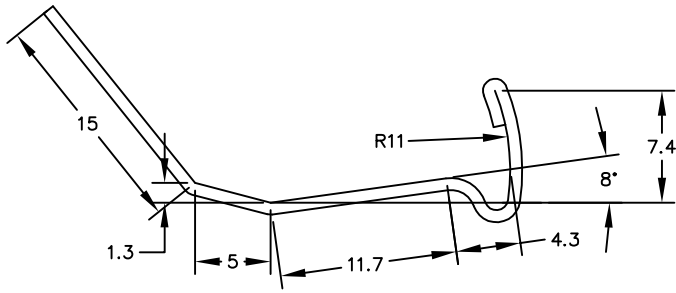
WEATHER STRIP BEADING

COMPANY : MAHINDRA & MAHINDRA

PROJECT : MM 540



STAR AUTO INDUSTRIES  
G/2,G/3,G/8 ANSA INDUSTRIAL ESTATE  
SAKI VIHAR ROAD, SAKI NAKA



SCALE 2:1



SCALE 1:1

DRIP CHANNEL (SIDE, REAR, CORNER)

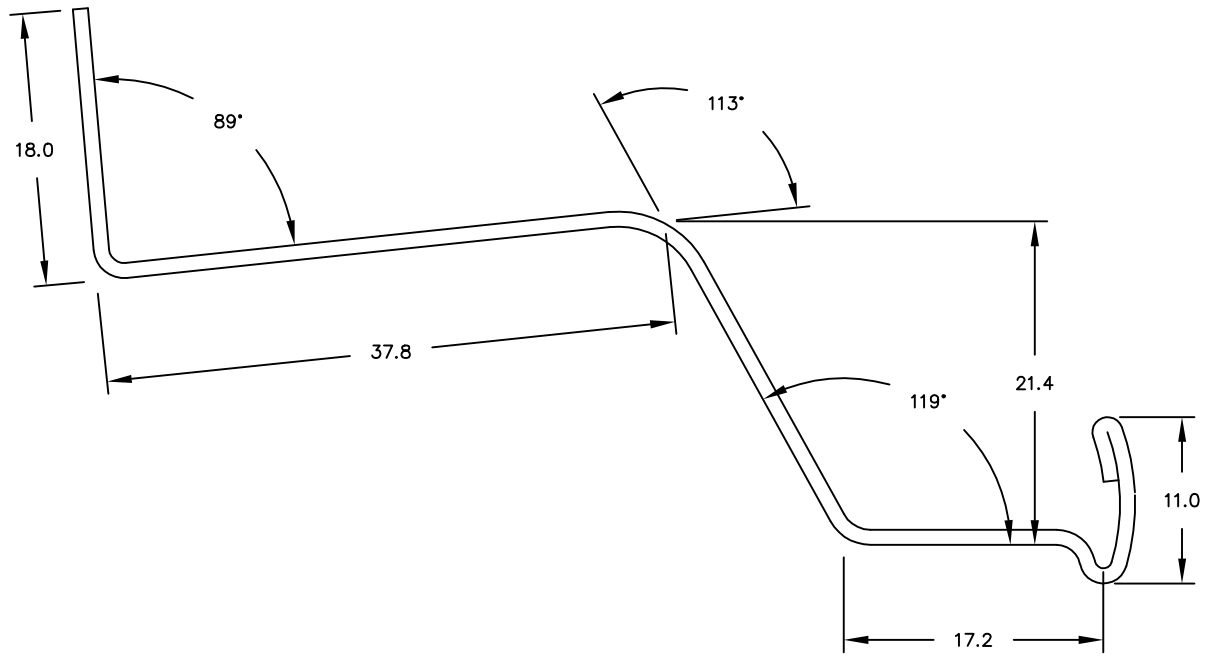
COMPANY : MAHINDRA & MAHINDRA

PROJECT : SCORPIO

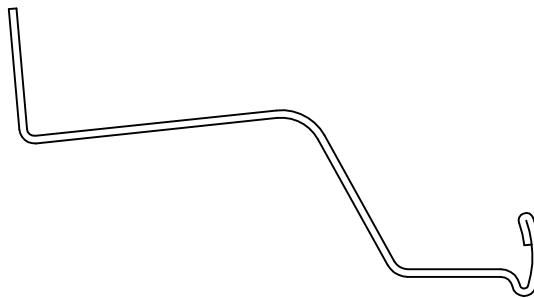




STAR AUTO INDUSTRIES  
G/2,G/3,G/8 ANSA INDUSTRIAL ESTATE  
SAKI VIHAR ROAD, SAKI NAKA



SCALE 2:1



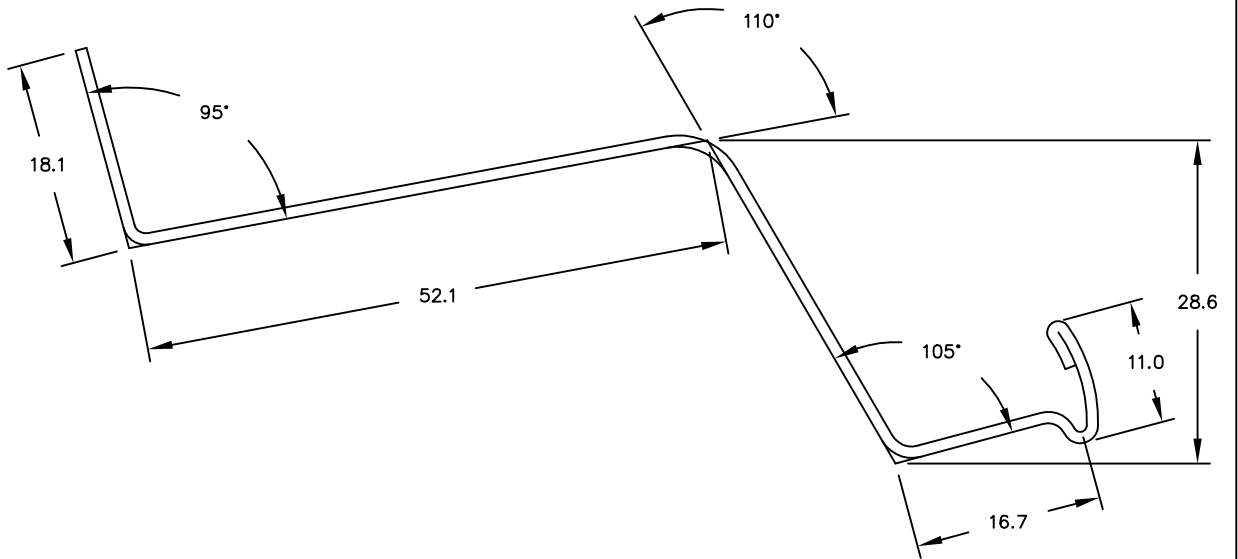
SCALE 1:1

DRIP RAIL SIDE

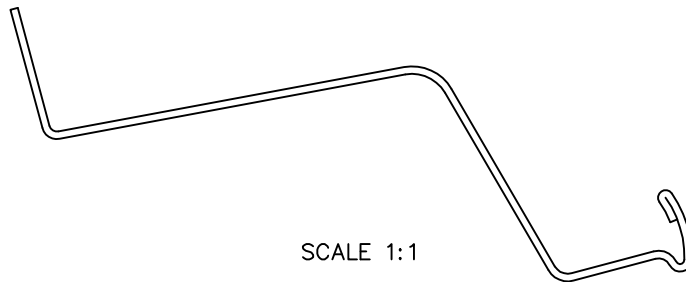
COMPANY : MAHINDRA & MAHINDRA  
PROJECT : BOLERO, BOLERO LONGER, MAXX  
CAMPER, CAMPER LONGER



STAR AUTO INDUSTRIES  
G/2,G/3,G/8 ANSA INDUSTRIAL ESTATE  
SAKI VIHAR ROAD, SAKI NAKA



SCALE 1.5:1



SCALE 1:1

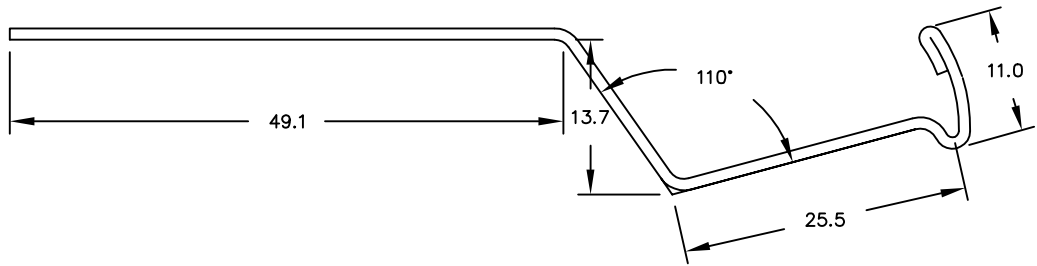
DRIP RAIL REAR

COMPANY : MAHINDRA & MAHINDRA

PROJECT : BOLERO, BOLERO LONGER, MAXX  
CAMPER, CAMPER LONGER



STAR AUTO INDUSTRIES  
G/2,G/3,G/8 ANSA INDUSTRIAL ESTATE  
SAKI VIHAR ROAD, SAKI NAKA



SCALE 1.5:1



SCALE 1:1

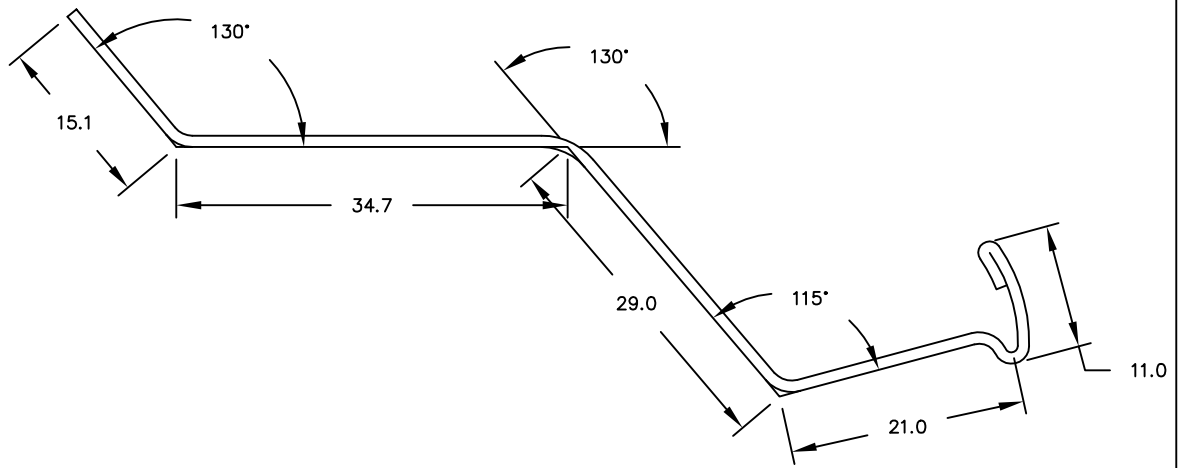
DRIP RAIL FRONT

COMPANY : MAHINDRA & MAHINDRA

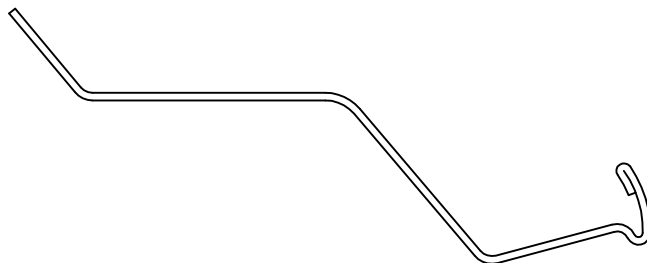
PROJECT : BOLERO



STAR AUTO INDUSTRIES  
G/2,G/3,G/8 ANSA INDUSTRIAL ESTATE  
SAKI VIHAR ROAD, SAKI NAKA



SCALE 1.5:1



SCALE 1:1

DRIP RAIL FRONT

COMPANY : MAHINDRA & MAHINDRA

PROJECT : MARSHALL, MAXX