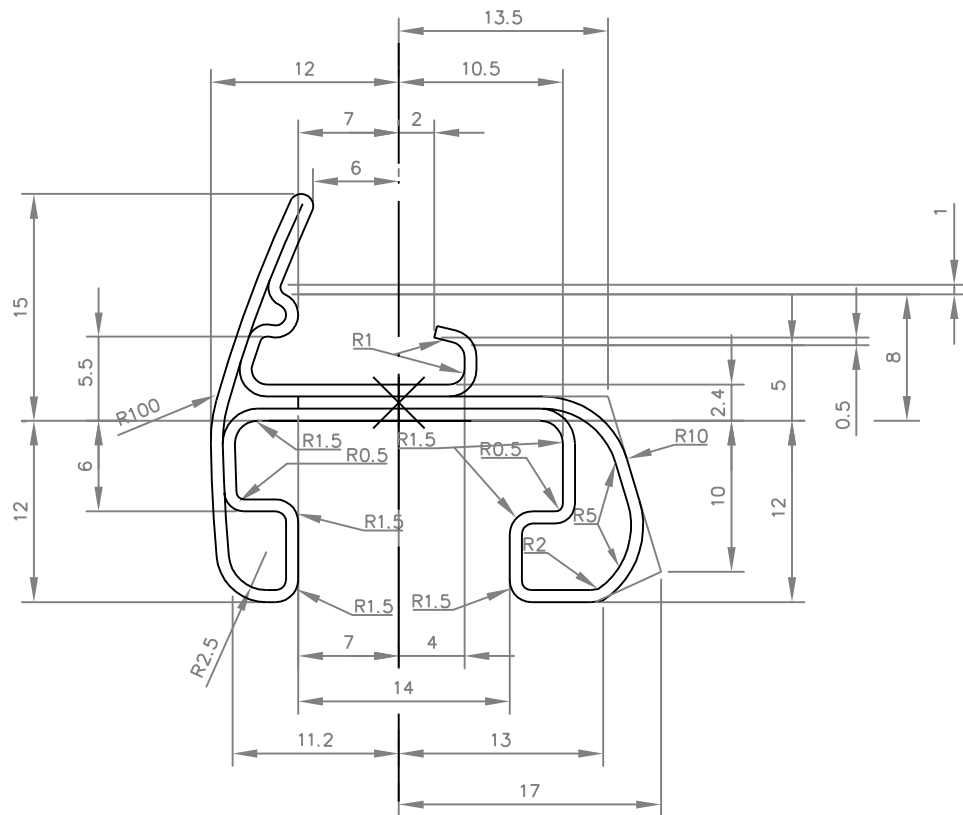
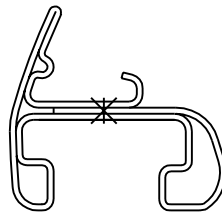




STAR AUTO INDUSTRIES
G/2,G/3,G/8 ANSA INDUSTRIAL ESTATE
SAKI VIHAR ROAD, SAKI NAKA



SCALE 2:1



SCALE 1:1

THK: 0.80mm

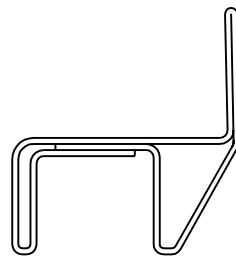
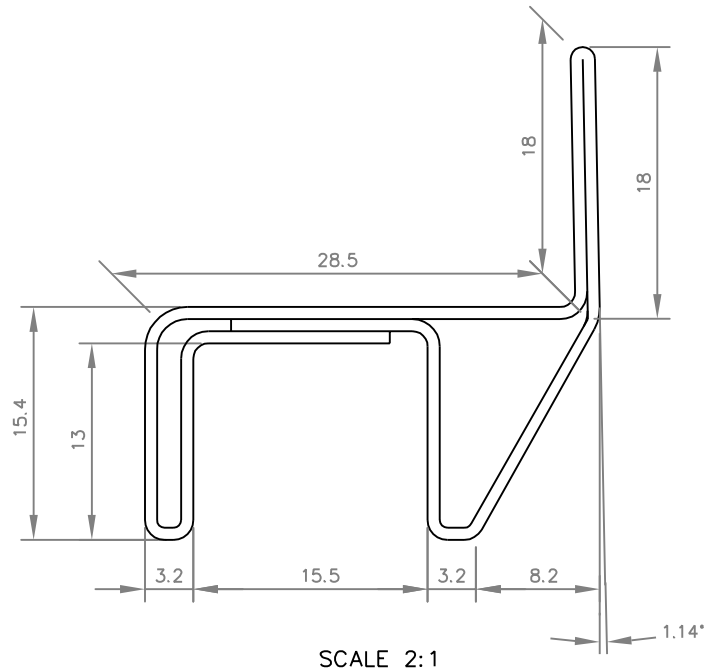
SASH

COMPANY : TATA MOTORS

PROJECT : SUMO, SIERRA, ESTATE,
MOBILE, 709



STAR AUTO INDUSTRIES
G/2,G/3,G/8 ANSA INDUSTRIAL ESTATE
SAKI VIHAR ROAD, SAKI NAKA



SCALE 1:1
THK: 0.80mm

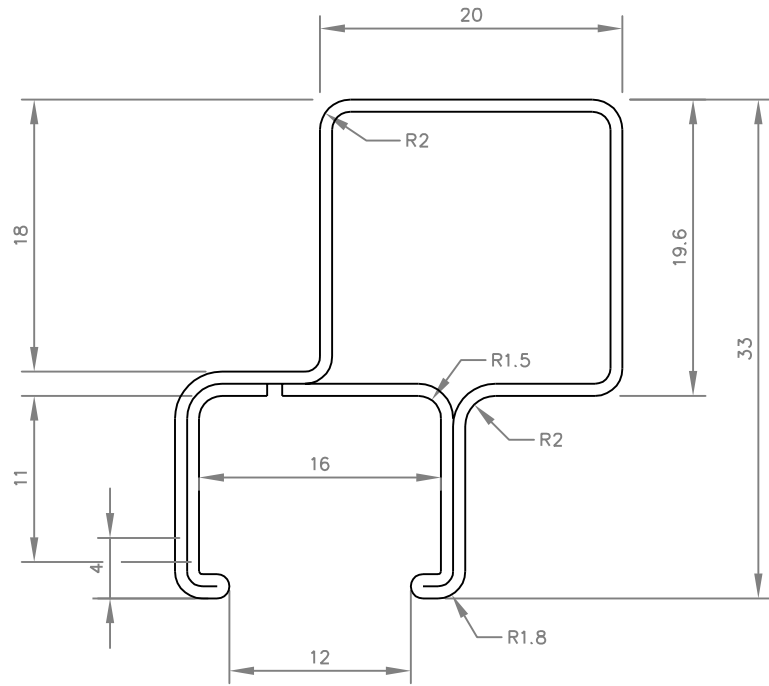
DOOR SASH

COMPANY : MAHINDRA & MAHINDRA

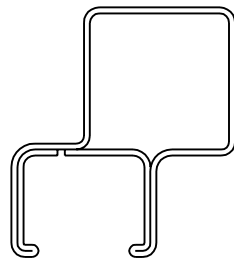
PROJECT : MM 540



STAR AUTO INDUSTRIES
G/2,G/3,G/8 ANSA INDUSTRIAL ESTATE
SAKI VIHAR ROAD, SAKI NAKA



SCALE 2:1



SCALE 1:1

THK: 0.80mm

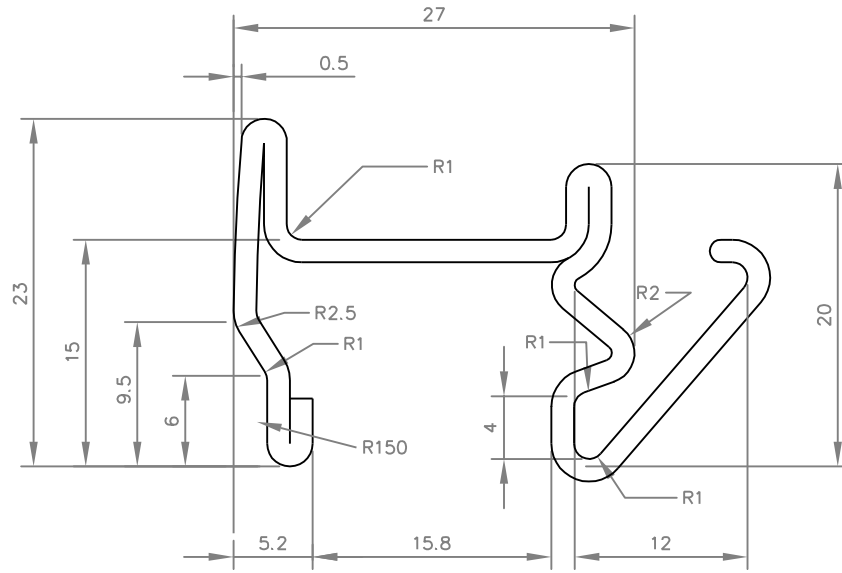
DOOR SASH

COMPANY : FORCE MOTORS

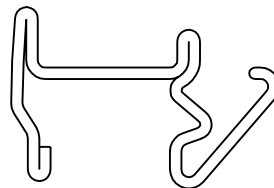
PROJECT : TRAX



STAR AUTO INDUSTRIES
G/2,G/3,G/8 ANSA INDUSTRIAL ESTATE
SAKI VIHAR ROAD, SAKI NAKA



SCALE 2:1



SCALE 1:1

THK: 1.50mm

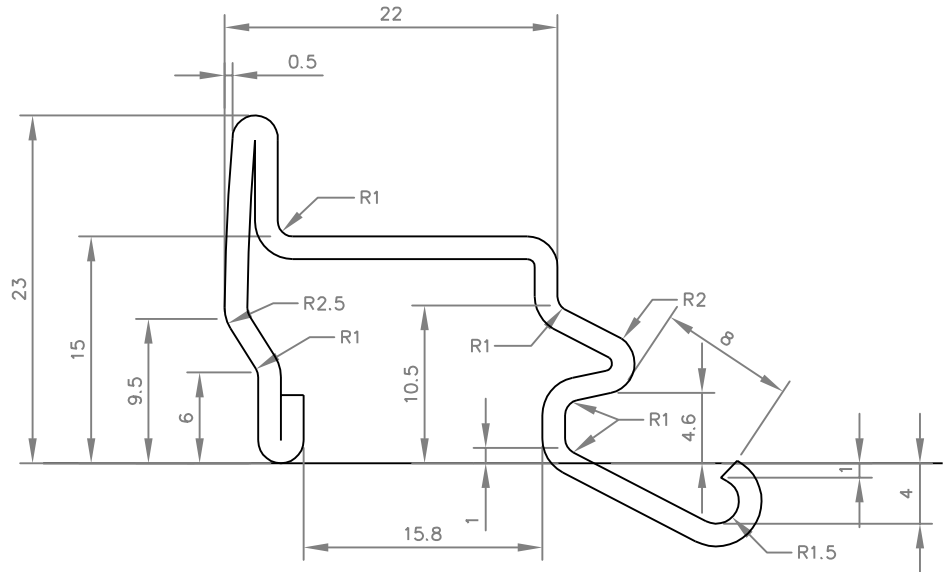
DOOR SASH

COMPANY : HINDUSTAN MOTORS

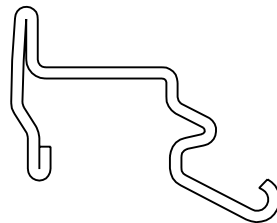
PROJECT : CONTESSA



STAR AUTO INDUSTRIES
G/2,G/3,G/8 ANSA INDUSTRIAL ESTATE
SAKI VIHAR ROAD, SAKI NAKA



SCALE 2:1



SCALE 1:1

THK: 1.50mm

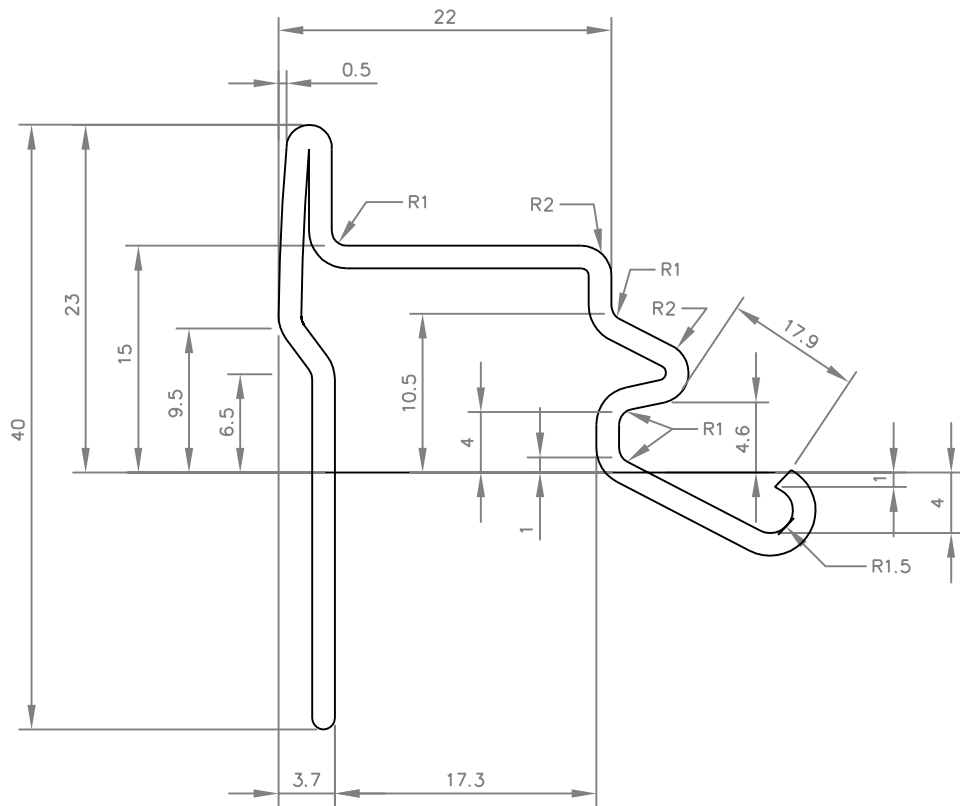
DOOR SASH

COMPANY : HINDUSTAN MOTORS

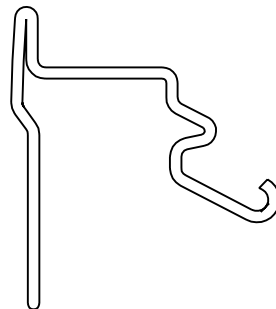
PROJECT : CONTESSA



STAR AUTO INDUSTRIES
G/2,G/3,G/8 ANSA INDUSTRIAL ESTATE
SAKI VIHAR ROAD, SAKI NAKA



SCALE 2:1



SCALE 1:1

THK: 1.50mm

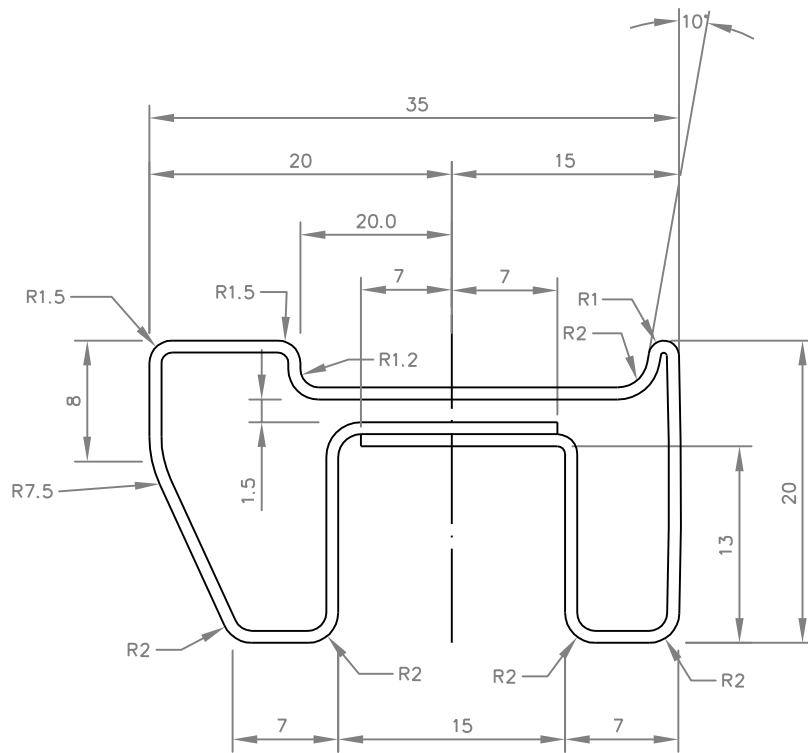
DOOR SASH

COMPANY : HINDUSTAN MOTORS

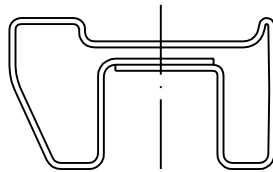
PROJECT : CONTESSA



STAR AUTO INDUSTRIES
G/2,G/3,G/8 ANSA INDUSTRIAL ESTATE
SAKI VIHAR ROAD, SAKI NAKA



SCALE 2:1



SCALE 1:1

THK: 0.80mm

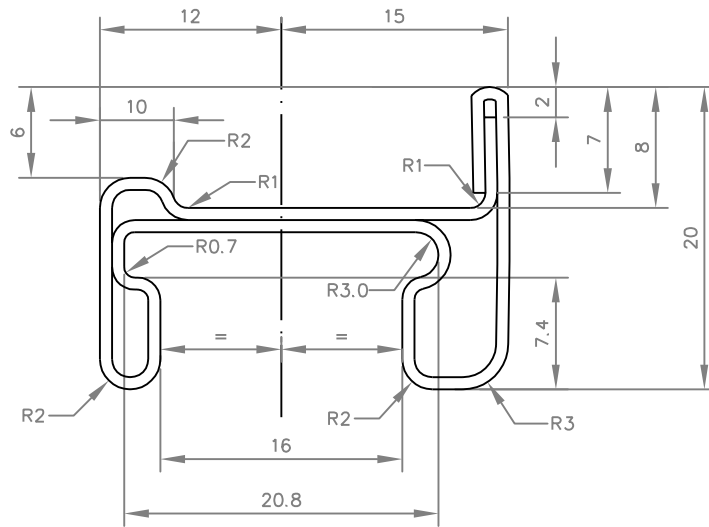
DOOR SASH

COMPANY : PREMIER AUTOMOBILES

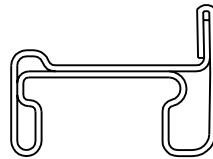
PROJECT : PREMIER PADMINI



STAR AUTO INDUSTRIES
G/2,G/3,G/8 ANSA INDUSTRIAL ESTATE
SAKI VIHAR ROAD, SAKI NAKA



SCALE 2:1



SCALE 1:1

THK: 0.80mm

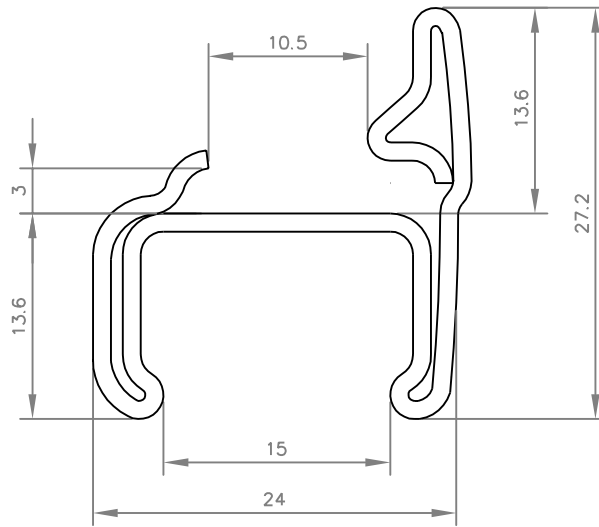
DOOR SASH

COMPANY : PREMIER AUTOMOBILES

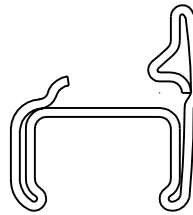
PROJECT : 118 NE



STAR AUTO INDUSTRIES
G/2,G/3,G/8 ANSA INDUSTRIAL ESTATE
SAKI VIHAR ROAD, SAKI NAKA



SCALE 2:1



SCALE 1:1

THK: 1.20mm

DOOR SASH

COMPANY : MAHINDRA & MAHINDRA

PROJECT : CABKING